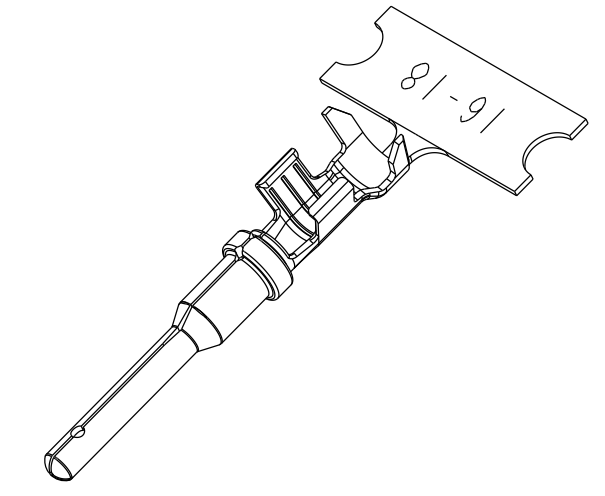
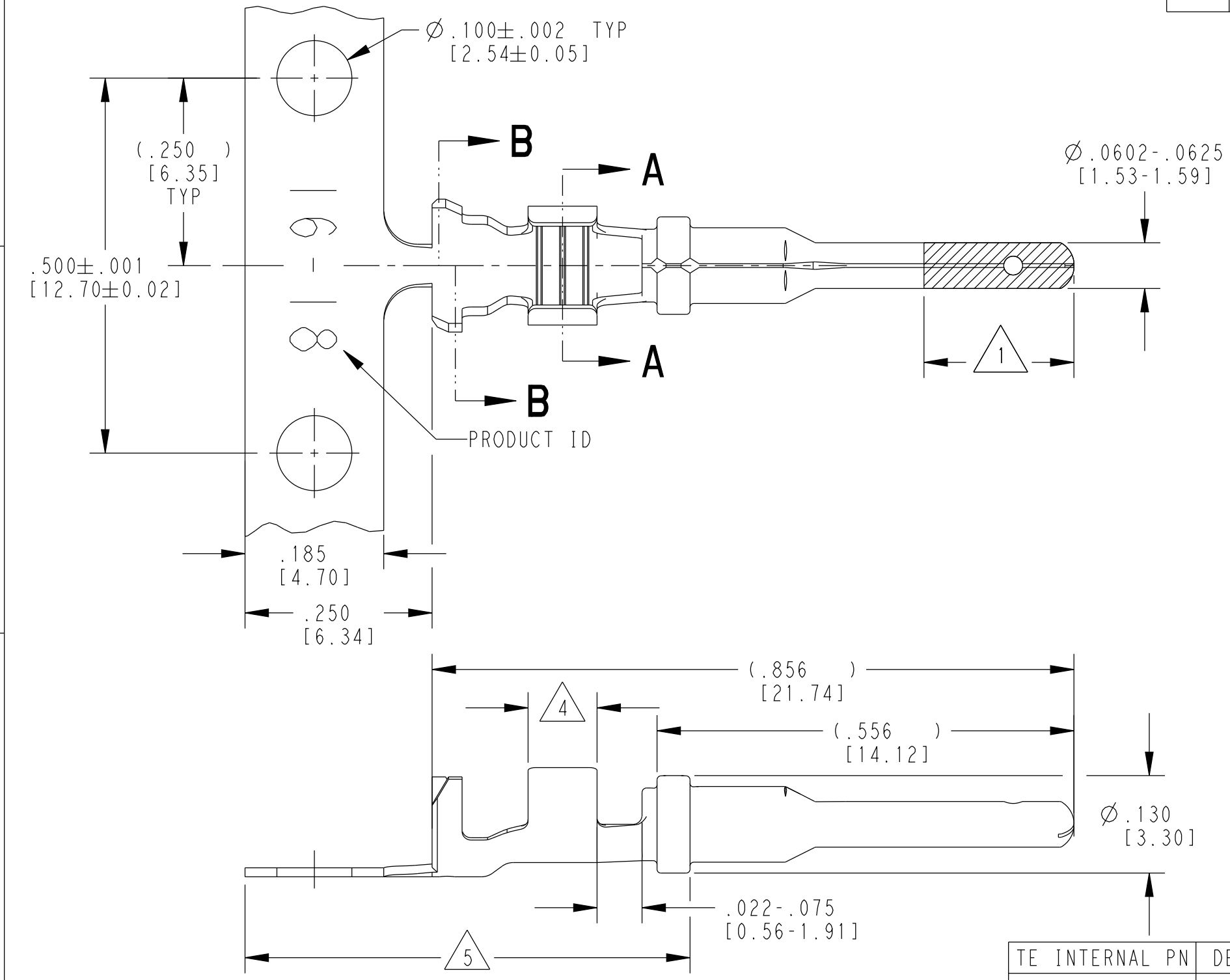


THIS DRAWING IS UNPUBLISHED. RELEASED FOR PUBLICATION 2020
 © COPYRIGHT 2020 BY TE CONNECTIVITY ALL RIGHTS RESERVED.

LOC	DIST	REVISIONS			
P	LTR	DESCRIPTION	DATE	DWN	APVD
	J	REVISED PER ECO-15-007761	28MAY2015	RL	DM
	K	REVISED PER PCN E-20-008101	12JUN2020	DM	DM
	L	REVISED PER PCN-21-121539	08DEC2021	MK	DM
	L1	REVISED PER PCN-21-121539	04FEB2022	MK	DM



SECTION A-A
WIRE BARREL

SECTION B-B
INSULATION BARREL

- 5 TIN PLATING MAY BE IN THIS REGION.
- 4 TIN PLATED REGION.
- 3 MATERIAL: .012 [0.30] THICK COPPER ALLOY
- 2. WIRE RANGE: 18 AWG TO 14 AWG [0.75-2.0 mm²]
INSULATION RANGE: $\phi .075-.140$ [$\phi 1.91-3.56$]
- 1 GOLD PLATED REGION.

NOTES: UNLESS OTHERWISE SPECIFIED

TE INTERNAL PN	DEUTSCH PN	PLATING
1060-16-0122	1060-16-0122	Ni/Cu overall, Sn/Ni/Cu Wire Barrel
1060-16-0144	1060-16-0144	Selective Au, Ni/Cu overall, Sn/Ni/Cu Wire Barrel
1060-16-0177	1060-16-0177	Sn/Ni/Cu overall

THIS DRAWING IS A CONTROLLED DOCUMENT.

DIMENSIONS: INCHES [mm]	TOLERANCES UNLESS OTHERWISE SPECIFIED: 0 PLC ± 1 PLC ± 2 PLC ± 3 PLC ±.025 [0.64] 4 PLC ± ANGLES ±	DWN M. BLUM 04NOV1999 CHK A. ROLINSKI 08DEC2000 APVD R. REED 08DEC2000	TE Connectivity STAMPED CONTACT PIN SIZE 16
MATERIAL 3	FINISH SEE TABLE	PRODUCT SPEC 108-151000 APPLICATION SPEC 114-151000 WEIGHT 0.33 g	

Customer Drawing SCALE 6:1 SHEET 1 OF 1 REV L1