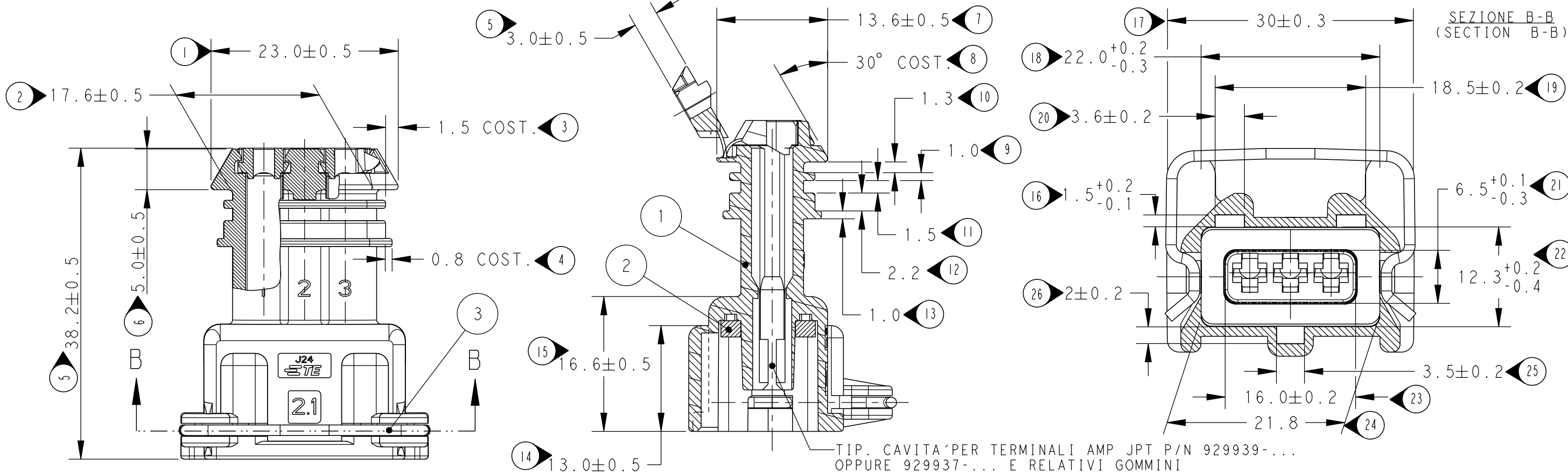


P	LTR	DESCRIPTION	DATE	DWN	APVD
P3		REVISED PER ECO-20-003216	05JUN2020	AP	VN

CONNECTOR TIPO A (CON MOLLA DI RITEGNO ESTERNA)  
CONNECTOR TYPE B (WITH EXTERNAL SPRING)

SECTION A-A

SEZIONE B-B  
(SECTION B-B)



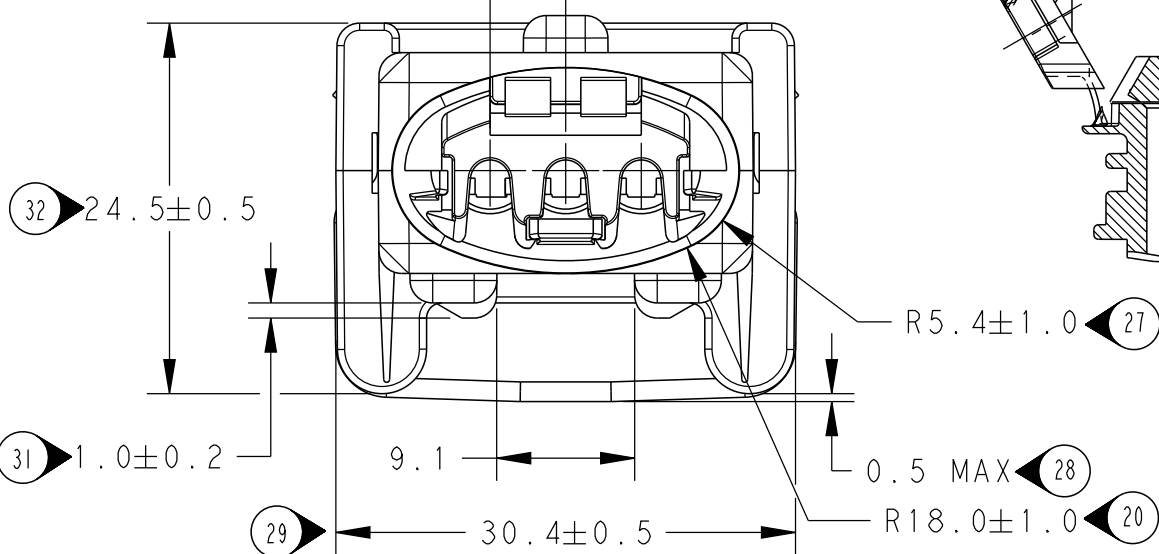
TIP. CAVITA' PER TERMINALI AMP JPT P/N 929939-...  
OPPURE 929937-... E RELATIVI GOMMINI  
AMP P/N 828904-1, 828905-1, 282536-1.  
TAPPO CAVITA' P/N 828906-2  
(TYP. CAV FOR JPT CONT. P/N 929939-...  
A/O 929937-... AND REL. SINGLE WIRE SEAL  
P/N 828904-1, 828905-1, 282536-1  
CAVITY PLUG P/N 828906-2)

DIAM (ISOLANTE) (INS. DIA. RANGE)	RANGE FILO (WIRE RANGE)
1.5-3.0 mm (RED. INS. CABLE)	0.5-2.5 mm <sup>2</sup>

ASSE CONNETTORE  
(CONNECTOR CENTER LINE)

ASSE CAVITA'  
(CAVITY CENTER LINE)

33) PASSO 5.0±0.15 TIP  
(PITCH 5.0±0.15 TYP)



NERO (BLACK)	2-282191-1 P1	1
<del>NERO (BLACK)</del>	<del>1-282191-1</del>	SUPERSEDED BY 282191-1
ROSSO (RED)	---	CUSTOMER DRAWING FOR REFERENCE ONLY
GIALLO (YELLOW)	---	
MARRONE (BROWN)	282191-6	3
BLU (BLUE)	282191-5	
VERDE (GREEN)	282191-4	2
<del>NATURALE (NATUR)</del>	<del>282191-3</del>	
GRIGIO (GREY)	282191-2	1
NERO (BLACK)	282191-1	

FINITURA/COLORE (FINISH/COLOUR)	MATERIALE (MATERIAL)	DESCRIZIONE (DESCRIPTION)
3	ACCIAIO INOX (STAINLESS STEEL)	MOLLA (SPRING)
2	NATURALE (NATURAL)	GOMMA SILICONE (SILICONE RUBER)
1	PA 6.6	BLOCCETTO (HOUSING)

1) DIFFERISCE DAL ...-1 ESCLUSIVAMENTE PER IL PACKAGING  
(DIFFERS FROM ...-1 ONLY FOR PACKAGING DETAILS)

2) PER DIMENSIONI CONTROPARTE VEDERE FOGLIO 2  
(FOR COUNTERPART DIMENSIONS SEE SHEET 2)

THIS DRAWING IS A CONTROLLED DOCUMENT.

DIMENSIONS:	TOLERANCES UNLESS OTHERWISE SPECIFIED:
mm	0 PLC ±-
	1 PLC ±0.3
	2 PLC ±-
	3 PLC ±-
	4 PLC ±-
	ANGLES ±2°
MATERIAL	FINISH

DWN	9 NOV 90
E. CINI	
CHK	13 OCT 92
C. TARTARI	
APVD	-
PRODUCT SPEC	-
APPLICATION SPEC	-
WEIGHT	-
CUSTOMER DRAWING	

**STE** TE Connectivity

NAME: 3 W. SPLASH PROOF CONN. ASS'Y WITH SECONDARY LOCK

SIZE	CAGE CODE	DRAWING NO	RESTRICTED TO
A3	-	282191	-

SCALE: 2:1 SHEET: 1 OF 2 REV: P3

